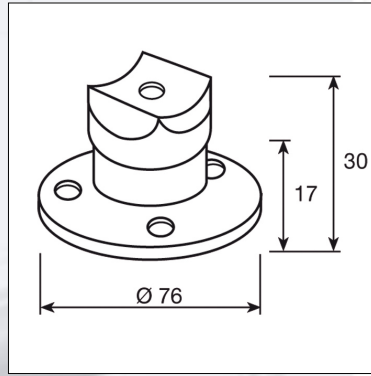


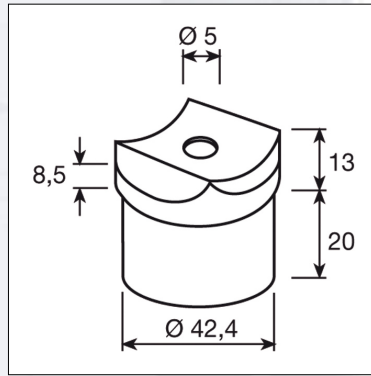


SUPPORTS



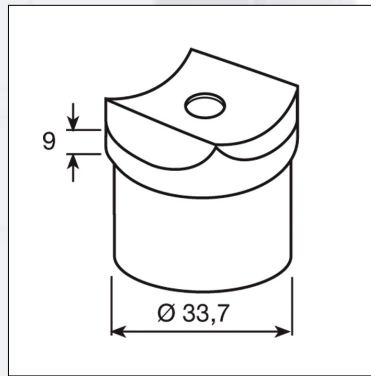
COD.

EX110 PLATED TUBE/RAIL SADDLE CAPPING Ø 42,4 mm - STAINLESS STEEL AISI 304 SATIN FINISH



COD.

EX230 SADDLE CAPPING KIT Ø 42,4 mm - SATIN FINISH



COD.

EX235 SADDLE CAPPING KIT Ø 33,7 mm - SATIN FINISH

The records, the specifics and the representations of the following catalogue are undemanding. Expo Inox S.p.A. reserves the right to introduce, at any time, the modifications that considers necessary.

